

# M15 MIG/MAG-Welding Torch.

## The robust high-quality classic torch



### MIG/MAG-Welding Torch

#### The robust high-quality classic torch:

Top quality throughout the world  
Ergonomic and technically matured and 100% reliable  
Optimum torch cooling - high endurance  
Time-saving torch replacement thanks to EURO connector

LINDE welding torches incorporate the high quality and technology needed for trouble-free performance whatever the welding job. All the torches have been thought through down to the last detail and guarantee exact and comfortable work.

### M15 (air cooled)

The small and light quality torch for use through the whole application area of apparatus, vehicle, machine and steel constructions.

#### Arguments speaking for themselves:

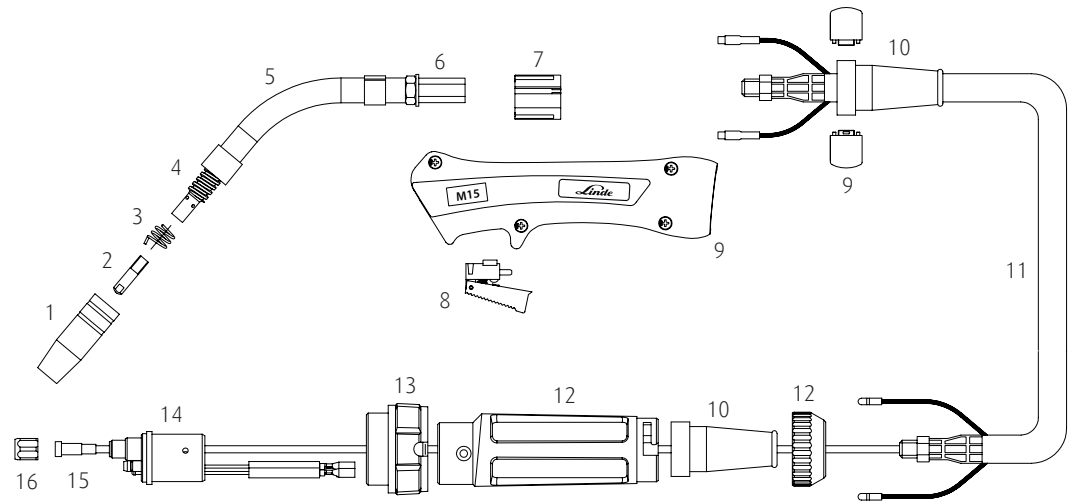
- Optimum torch cooling - high endurance
- Ergonomically designed handle system - optimum handling in every position
- Ball joint with optimum transition radius – perfect handling
- Light and highly flexible cable assembly makes low-fatigue possible
- Robust construction for durability and extended torch life

#### Technical data according to EN 60 974-7:

Cooling: air cooled  
Rating: 180 A CO<sub>2</sub>  
150 A mixed gas M21 according to DIN EN 439  
60% duty cycle  
Wire-Ø: 0.6 – 1.0 mm

Rated using power source with VDE standard volt/amp characteristic ( $U=14+0.05xI$ ). When pulse welding, reduce rating by 35%.

## Wear- and Sparepart List



## MIG/MAG-Welding Torch

Type	Linde PN
M15 – 3.0m	51/312001-L
M15 – 4.0m	51/312007-L
M15 – 5.0m	51/312013-L

## Wear parts

Pos.	Description	Linde PN	
1	Gas nozzle cylindrical	Ø 16 x 53 mm	50/021500-L
	Gas nozzle conical	Ø 12 x 53 mm	50/021503-L
	Gas nozzle tapered	Ø 9.5 x 53 mm	50/021506-L
	Gas nozzle spot	Ø 16 x 53 mm	50/021508-L
2	Contact tip E-Cu	Ø 0.6 x 25 mm, M6	50/001201-L
	Contact tip E-Cu	Ø 0.8 x 25 mm, M6	50/001202-L
	Contact tip E-Cu	Ø 1.0 x 25 mm, M6	50/001204-L
	Contact tip E-Cu for Al	Ø 0.8 x 25 mm, M6	50/003202-L
	Contact tip E-Cu for Al	Ø 1.0 x 25 mm, M6	50/002204-L
	Contact tip CuCrZr	Ø 0.6 x 25 mm, M6	50/002201-L
	Contact tip CuCrZr	Ø 0.8 x 25 mm, M6	50/002202-L
	Contact tip CuCrZr	Ø 1.0 x 25 mm, M6	50/002204-L
	3	Spring for M15	
4	Gas nozzle holder M15	incl. spring Pos. 3	50/052001-L
5	Swan neck M15 complete		50/040015-L
6	Torch body brass		58/000042-L
7	Torch body plastic		58/000043-L
8	Trigger		58/000044-L
9	Handle complete with ball joint		58/000105-L
10	Cable support, small		58/000048-L
11	Coaxial cable 3.0 m		58/000051-L
	Coaxial cable 4.0 m		58/000052-L
	Coaxial cable 5.0 m		58/000053-L

Adress of the respective country

---

**Wear parts**

Pos.	Description	Linde PN
12	Cable support machine side complete	58/000049-L
13	Adapter nut M33x2	58/000024-L
14	Central connector	58/000050-L
15	Liner insulated                    Ø 0.6 for 3 m	50/054001-L
	Liner insulated                    Ø 0.8 for 3 m	50/054001-L
	Liner insulated                    Ø 1.0 for 3 m	50/054004-L
	Teflon liner                        Ø 0.6 for 3 m	50/055001-L
	Teflon liner                        Ø 0.8 for 3 m	50/055001-L
	Teflon liner                        Ø 1.0 for 3 m	50/055002-L
	Liner insulated                    Ø 0.6 for 4 m	50/054002-L
	Liner insulated                    Ø 0.8 for 4 m	50/054002-L
	Liner insulated                    Ø 1.0 for 4 m	50/054005-L
	Teflon liner                        Ø 0.6 for 4 m	50/055004-L
	Teflon liner                        Ø 0.8 for 4 m	50/055004-L
	Teflon liner                        Ø 1.0 for 4 m	50/055005-L
	Liner insulated                    Ø 0.6 for 5 m	50/054003-L
	Liner insulated                    Ø 0.8 for 5 m	50/054003-L
	Liner insulated                    Ø 1.0 for 5 m	50/054006-L
	Teflon liner                        Ø 0.6 for 5 m	50/055007-L
	Teflon liner                        Ø 0.8 for 5 m	50/055007-L
	Teflon liner                        Ø 1.0 for 5 m	50/055008-L
16	Nut M10x1	58/000041-L

Address of the respective country

---

---

Adress of the respective country

---