

M25 MIG/MAG-Welding Torch.

The robust high-quality classic torch



MIG/MAG-Welding Torch

The robust high-quality classic torch:

Top quality throughout the world
Ergonomic and technically matured and 100% reliable
Optimum torch cooling - high endurance
Time-saving torch replacement thanks to EURO connector

LINDE welding torches incorporate the high quality and technology needed for trouble-free performance whatever the welding job. All the torches have been thought through down to the last detail and guarantee exact and comfortable work.

M25 (air cooled)

The tried and trusted quality torch for use through the whole application area of apparatus, vehicle, machine and steel constructions.

Arguments speaking for themselves:

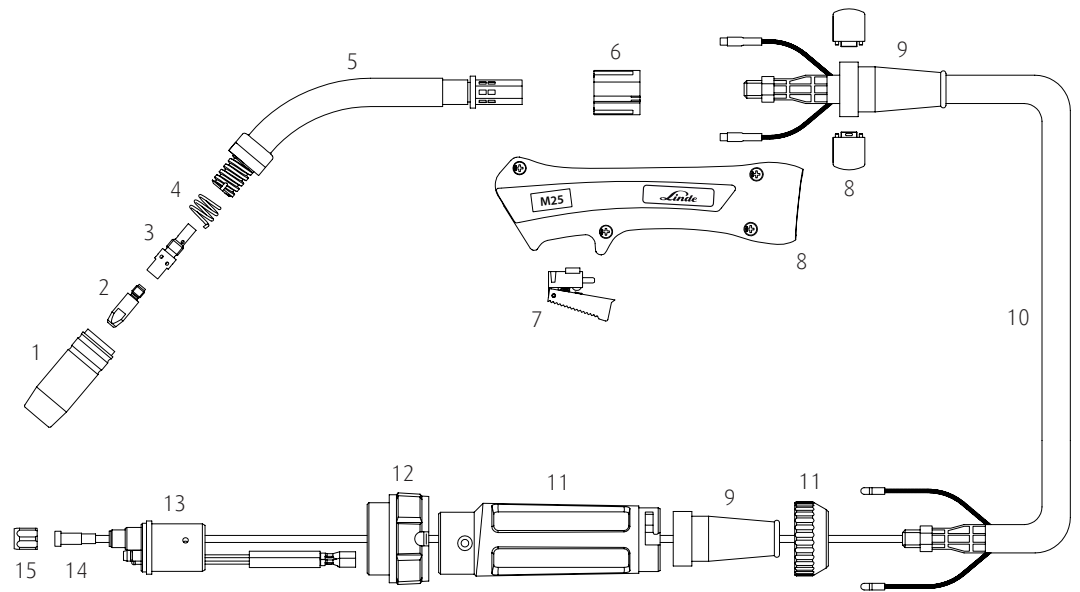
- Optimum torch cooling - high endurance
- Ergonomically designed handle system - optimum handling in every position
- Ball joint with optimum transition radius – perfect handling
- Light and highly flexible cable assembly makes low-fatigue possible
- Robust construction for durability and extended torch life

Technical data according to EN 60 974-7:

Cooling: air cooled
Rating: 230 A CO₂
200 A mixed gas M21 according to DIN EN 439
60% duty cycle
Wire-Ø: 0.8 – 1.2 mm

Rated using power source with VDE standard volt/amp characteristic ($U=14+0.05xI$). When pulse welding, reduce rating by 35%.

Wear- and Sparepart List



MIG/MAG-Welding Torch

Type	Linde PN
M25 – 3.0m	51/312002-L
M25 – 4.0m	51/312003-L
M25 – 5.0m	51/312014-L

Wear parts

Pos.	Description			Linde PN	
1	Gas Nozzle	cylindrical	Ø 18 x 57 mm	50/022500-L	
	Gas Nozzle	conical	Ø 15 x 57 mm	50/022502-L	
	Gas Nozzle	tapered	Ø 11.5 x 57 mm	50/022504-L	
	Gas Nozzle	spot	Ø 18 x 57 mm	50/022506-L	
2	Contact tip	E-Cu	Ø 0.8 x 28 mm, M6	50/001302-L	
	Contact tip	E-Cu	Ø 1.0 x 28 mm, M6	50/001304-L	
	Contact tip	E-Cu	Ø 1.2 x 28 mm, M6	50/001305-L	
	Contact tip	E-Cu for Al	Ø 0.8 x 28 mm, M6	50/003302-L	
	Contact tip	E-Cu for Al	Ø 1.0 x 28 mm, M6	50/003304-L	
	Contact tip	E-Cu for Al	Ø 1.2 x 28 mm, M6	50/003305-L	
	Contact tip	CuCrZr	Ø 0.8 x 28 mm, M6	50/002302-L	
	Contact tip	CuCrZr	Ø 1.0 x 28 mm, M6	50/002304-L	
	Contact tip	CuCrZr	Ø 1.2 x 28 mm, M6	50/002305-L	
	3	Contact tip holder		M6x35 mm	50/012501-L
	4	Spring for M25			50/051002-L
	5	Swan neck M25 complete			50/040025-L
6	Torch body plastic			58/000043-L	
7	Trigger			58/000044-L	
8	Handle complete with ball joint			58/000105-L	
9	Cable support, small			58/000048-L	

Adress of the respective country

Wear parts

Pos.	Description	Linde PN
10	Coaxial cable 3.0m	58/000054-L
	Coaxial cable 4.0m	58/000055-L
	Coaxial cable 5.0m	58/000056-L
11	Cable support machine side complete	58/000049-L
12	Adaptor nut M33x2	58/000024-L
13	Central connector	58/000050-L
14	Liner insulated Ø 0.8 for 3 m	50/054001-L
	Liner insulated Ø 1.0 for 3 m	50/054004-L
	Liner insulated Ø 1.2 for 3 m	50/054004-L
	Teflon liner Ø 0.8 for 3 m	50/055001-L
	Teflon liner Ø 1.0 for 3 m	50/055002-L
	Teflon liner Ø 1.2 for 3 m	50/055002-L
	Liner insulated Ø 0.8 for 4 m	50/054002-L
	Liner insulated Ø 1.0 for 4 m	50/054005-L
	Liner insulated Ø 1.2 for 4 m	50/054005-L
	Teflon liner Ø 0.8 for 4 m	50/055004-L
	Teflon liner Ø 1.0 for 4 m	50/055005-L
	Teflon liner Ø 1.2 for 4 m	50/055005-L
	Liner insulated Ø 0.8 for 5 m	50/054003-L
	Liner insulated Ø 1.0 for 5 m	50/054006-L
	Liner insulated Ø 1.2 for 5 m	50/054006-L
	Teflon liner Ø 0.8 for 5 m	50/055007-L
	Teflon liner Ø 1.0 for 5 m	50/055008-L
	Teflon liner Ø 1.2 for 5 m	50/055008-L
15	Nut M10x1	58/000041-L

Adress of the respective country

Adress of the respective country
